



DESIGN SHEET

# R - BLADE™

MOTORIZED LOUVERED PERGOLA





**01** Technical Specs

---

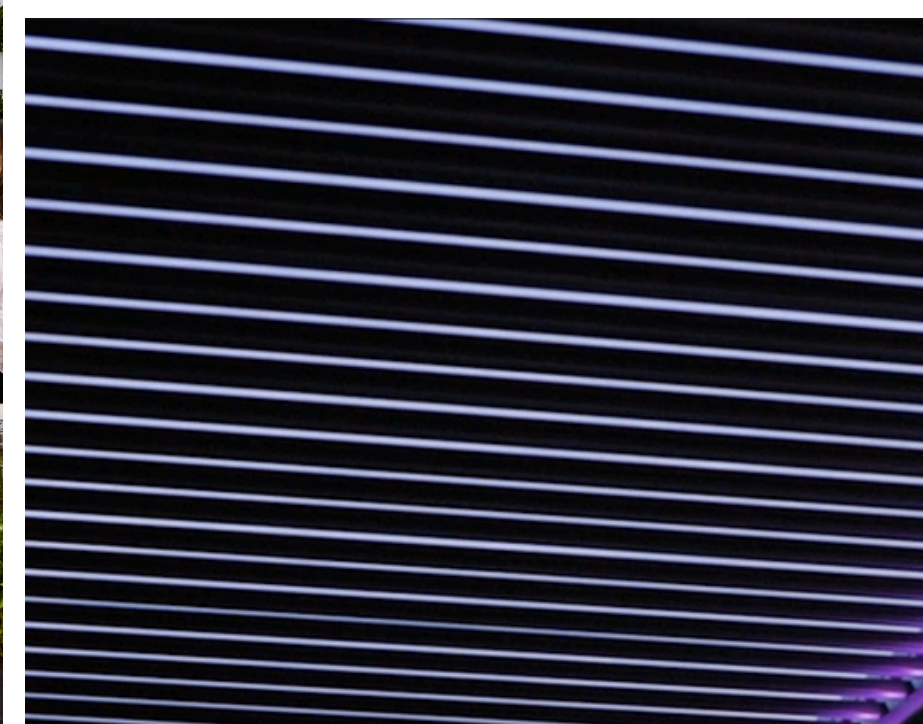
**02** Warranty

---

**03** Color Chart

---

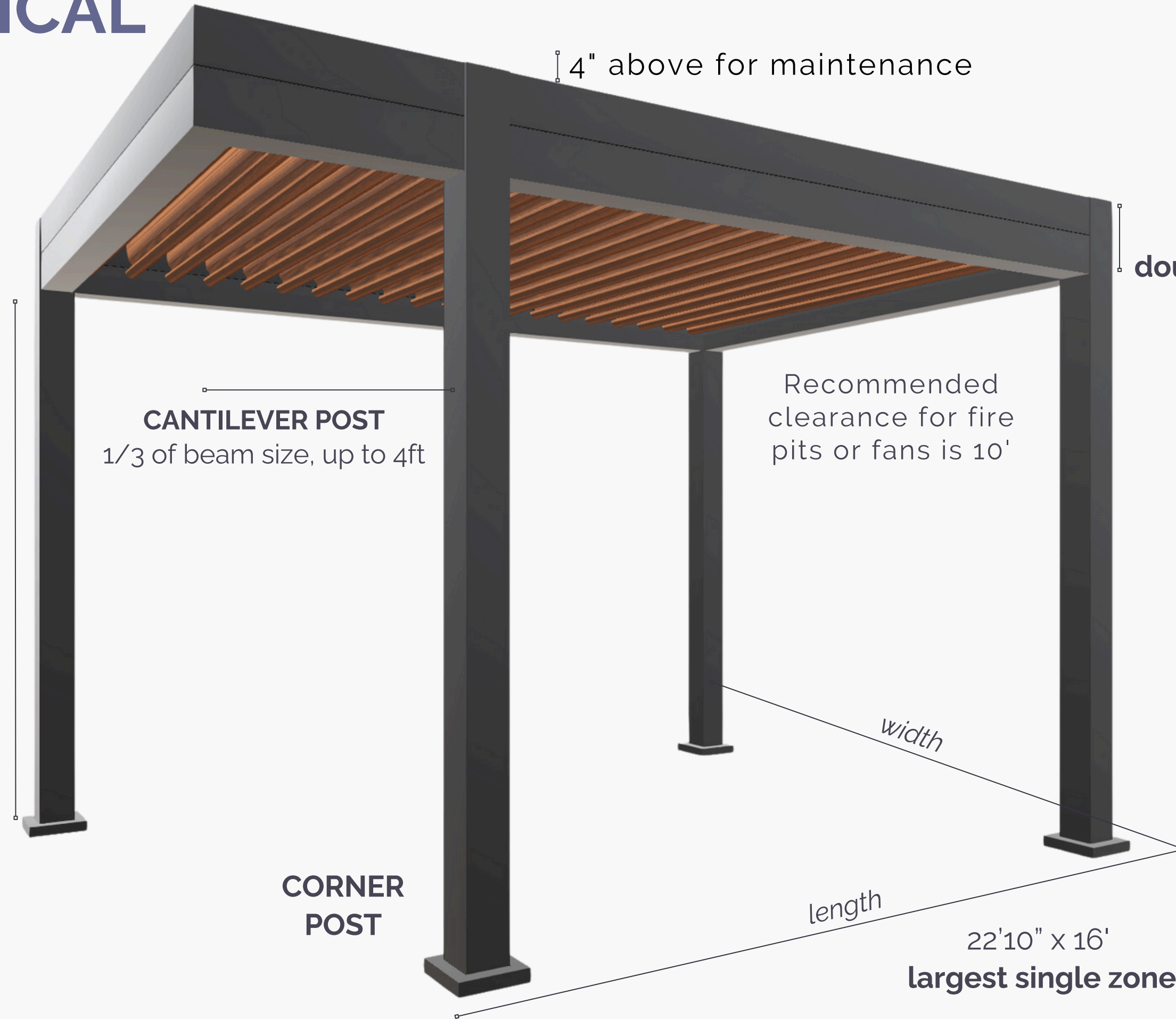
**04** Lighting



# TECHNICAL SPECS



maximum height under beam  
post sizes: 141" or 177"



4" above for maintenance

14" x 5 11/16"  
double beam + gutter

**CANTILEVER POST**  
1/3 of beam size, up to 4ft

Recommended  
clearance for fire  
pits or fans is 10'

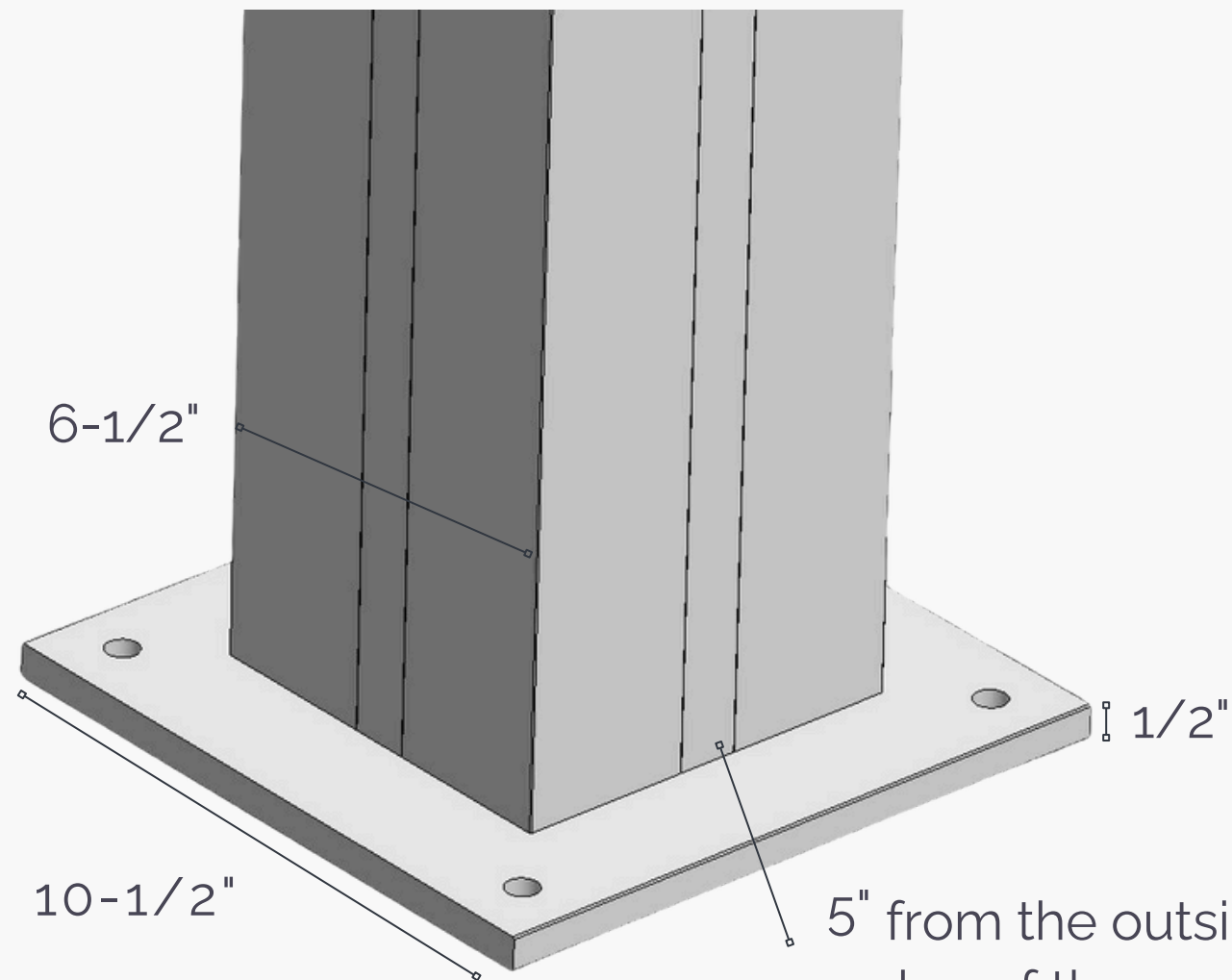
width

length

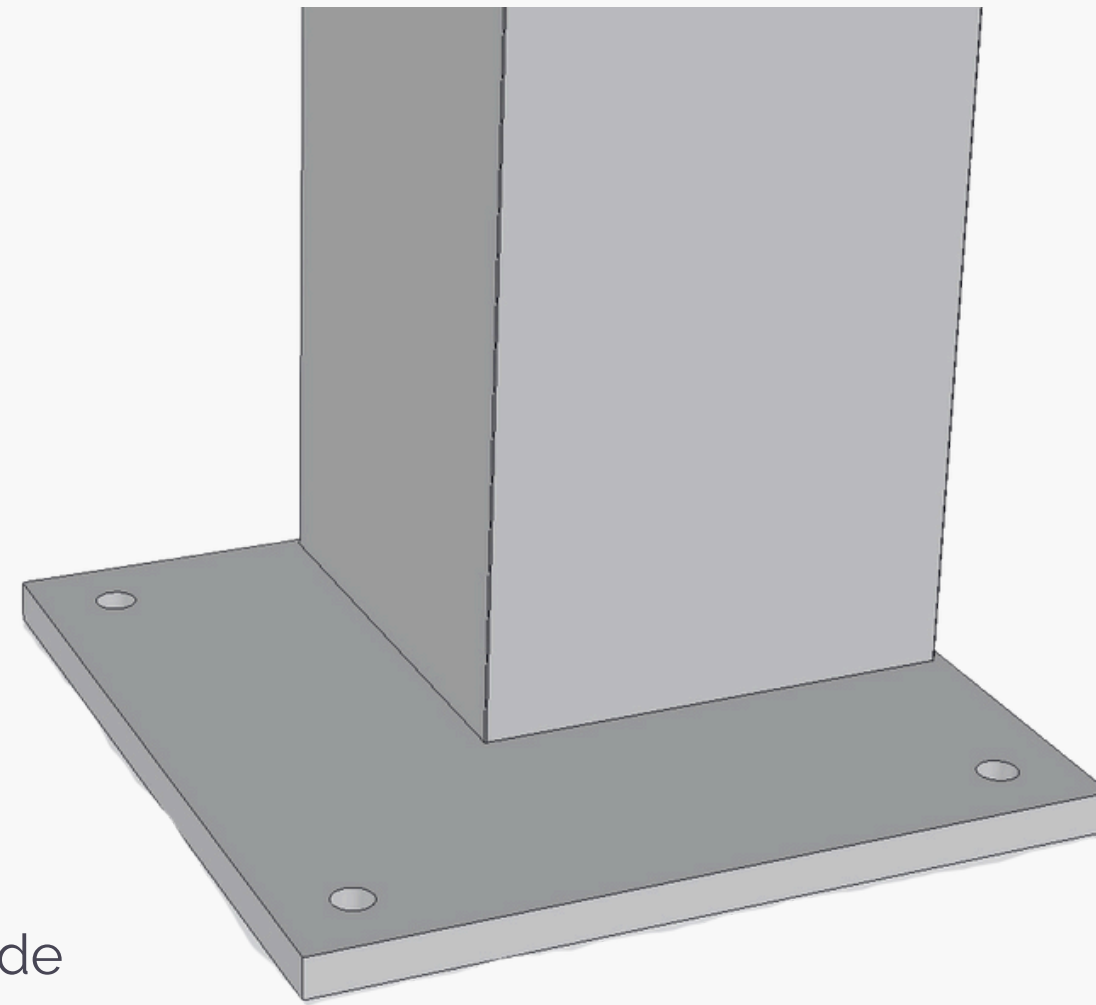
22'10" x 16'  
largest single zone

**CORNER  
POST**

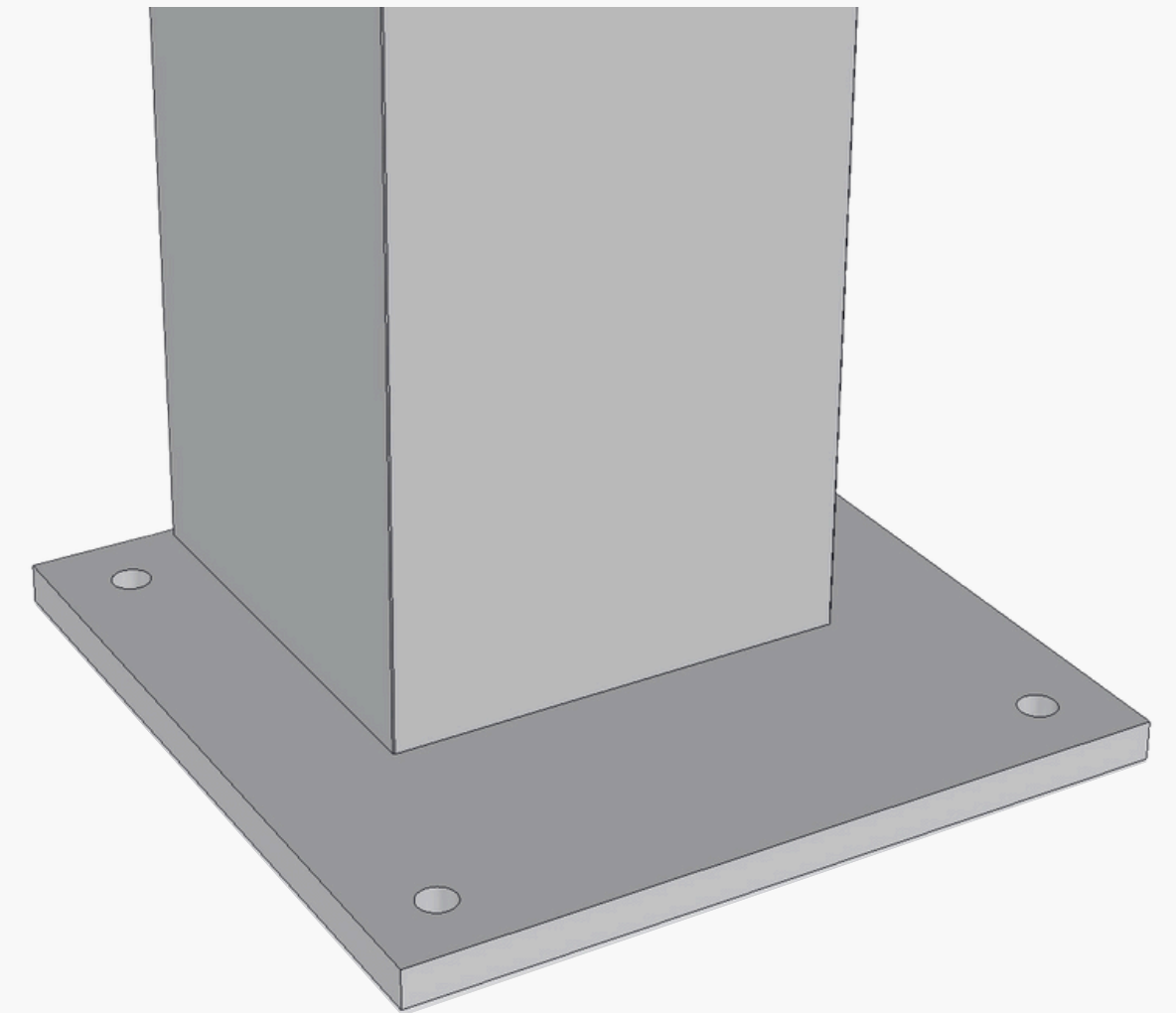
# TECHNICAL SPECS



**BASE PLATE  
CENTER**

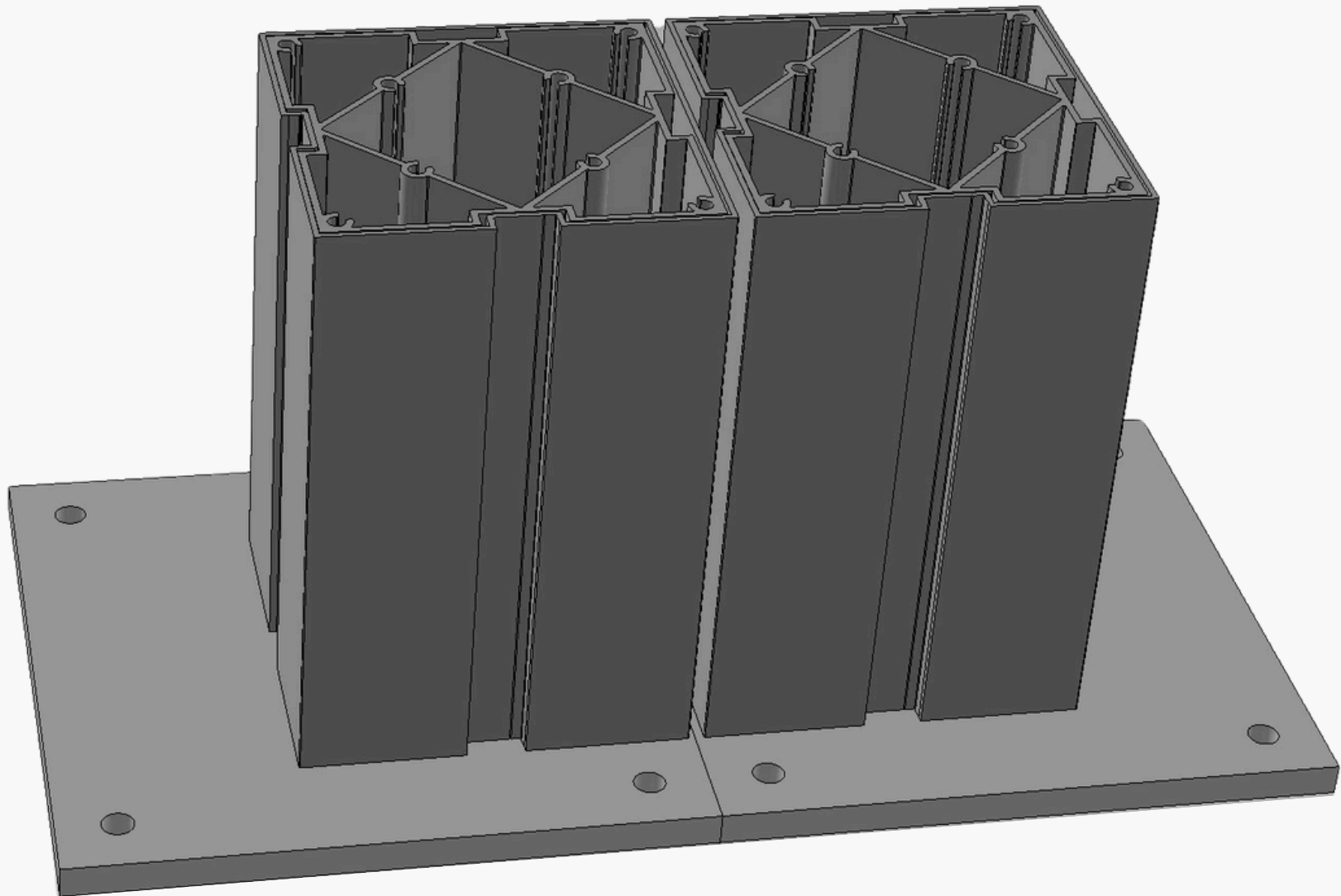


**BASE PLATE  
CORNER**

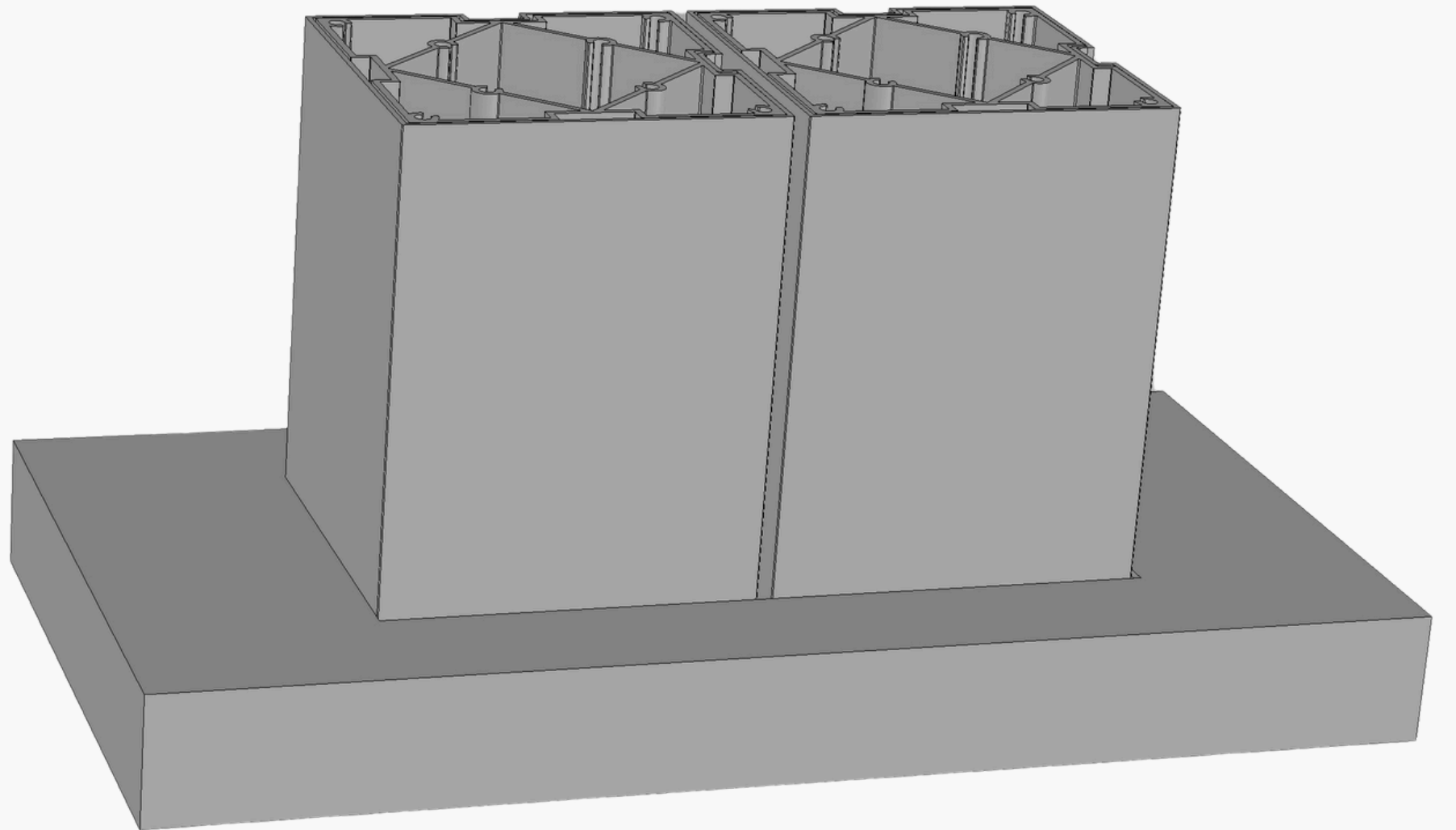


**BASE PLATE  
ECCENTRIC**

# TECHNICAL SPECS



**BASE PLATE  
DOUBLE ECCENTRIC**



**DOUBLE  
BASE PLATE COVER**

# TECHNICAL SPECS



## 2 TYPES OF DRAINAGE

- PVC pipes installed below ground;
- Scuppers placed either in the post or along the gutter.



**1/16" pitch per foot** toward the drainage posts.

**2 scuppers** provided per zone



## FOR CANTILEVER POST

Scupper required in gutter.

# TECHNICAL SPECS



## LOUVERS

**90°** : Maximum opening of the louvers

**9.53"** : Louvers opening space



## FIXED LOUVERS

### Snow Load Capacity:

- Closed Louvers: Up to 60 lbs/sq. ft.
- Opened Louvers: Up to 100 lbs/sq. ft.

**Wind Load Capacity:** Up to 175 mph  
(Meets Miami-Dade Requirements)



# TECHNICAL SPECS

## NO RIPPING REQUIRED

If your pergola dimension falls within any of the listed ranges, no cutting of the last louver will be necessary.

**Note:** For pergola dimensions falling outside these ranges, custom ripping will be required, and the **louvers will be fixed**. For a time-efficient installation, we recommend selecting a pergola length that aligns with these measures.

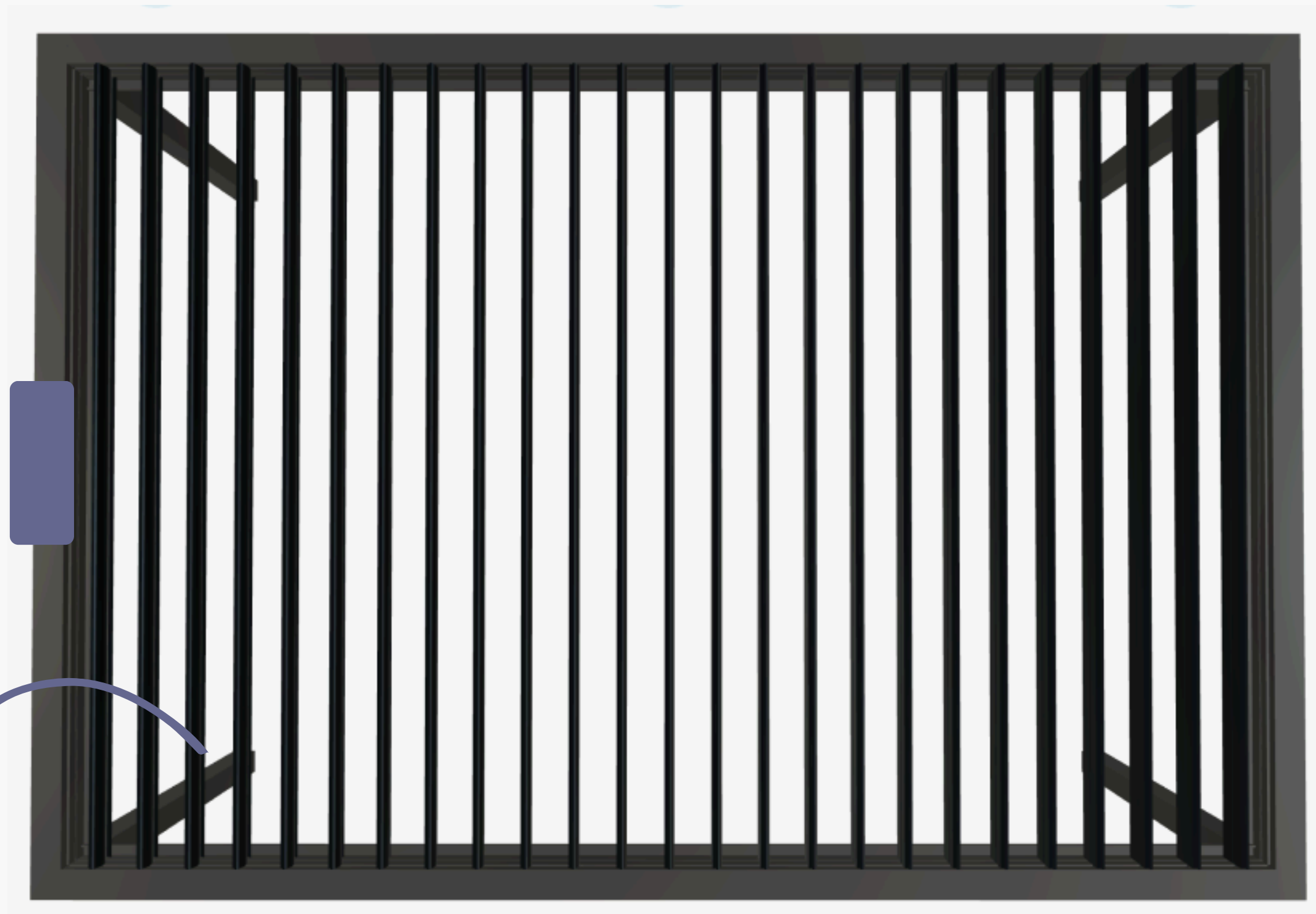


Pergola Length Range	Last Louver
57 17/32" - 59 1/32"	<b>6</b>
65 7/16" - 66 15/16"	<b>7</b>
73 11/32" - 74 27/32"	<b>8</b>
81 9/32" - 82 3/4"	<b>9</b>
89 3/16" - 90 21/32"	<b>10</b>
97 3/32" - 98 19/32"	<b>11</b>
105 1/32" - 106 1/2"	<b>12</b>
112 15/16" - 114 13/32"	<b>13</b>
120 27/32" - 122 5/16"	<b>14</b>
128 3/4" - 130 1/4"	<b>15</b>
136 21/32" - 138 5/32"	<b>16</b>
144 9/16" - 146 1/16"	<b>17</b>
152 1/2" - 153 31/32"	<b>18</b>
160 13/32" - 161 7/8"	<b>19</b>

Pergola Length Range	Last Louver
168 5/16" - 169 13/16"	<b>20</b>
176 1/4" - 177 23/32"	<b>21</b>
184 5/32" - 185 5/8"	<b>22</b>
192 1/16" - 193 17/32"	<b>23</b>
199 31/32" - 201 15/32"	<b>24</b>
207 7/8" - 209 3/8"	<b>25</b>
215 25/32" - 217 9/32"	<b>26</b>
223 23/32" - 225 3/16"	<b>27</b>
231 5/8" - 233 1/8"	<b>28</b>
239 17/32" - 241 1/32"	<b>29</b>
247 15/32" - 248 15/16"	<b>30</b>
255 3/8" - 256 27/32"	<b>31</b>
263 9/32" - 264 3/4"	<b>32</b>
271 3/16" - 272 11/16"	<b>33</b>
always cut	<b>34</b>



# TECHNICAL SPECS



CONTROL  
BOX

louvers open towards  
the control box

# TECHNICAL SPECS



Motors 24V – IP66 – 108 W  
Control Box Transformer 320 W

OPTIONS	MAXIMUM
MOTORS	2 per control box
MULTI SENSOR	1 per control box
PHOTOCELL SENSOR	1 per remote control

# 1 TECHNICAL SPECS

→ weight is in pounds,  
frame only.  
→ add 43 pounds per post



LENGTH	WIDTH							
	8'	9'	10'	11'	12'	13'	14'	15'
ft								
8'	235 lbs	503 lbs	520 lbs	566 lbs	583 lbs	626 lbs	697 lbs	696 lbs
9'	246 lbs	569 lbs	587 lbs	640 lbs	658 lbs	708 lbs	785 lbs	785 lbs
10'	268 lbs	612 lbs	629 lbs	687 lbs	704 lbs	759 lbs	838 lbs	838 lbs
11'	272 lbs	660 lbs	678 lbs	743 lbs	761 lbs	823 lbs	908 lbs	909 lbs
12'	289 lbs	711 lbs	729 lbs	798 lbs	815 lbs	882 lbs	971 lbs	970 lbs
13'	293 lbs	778 lbs	796 lbs	873 lbs	891 lbs	965 lbs	1,060 lbs	1,060 lbs
14'	330 lbs	839 lbs	857 lbs	939 lbs	956 lbs	1,034 lbs	1,132 lbs	1,132 lbs
15'	338 lbs	887 lbs	918 lbs	995 lbs	1,013 lbs	1,098 lbs	1,202 lbs	1,202 lbs
16'	338 lbs	911 lbs	905 lbs	1,023 lbs	1,041 lbs	1,130 lbs	1,238 lbs	1,238 lbs
17'	375 lbs	997 lbs	1,015 lbs	1,117 lbs	1,134 lbs	1,231 lbs	1,345 lbs	1,345 lbs
18'	282 lbs	1,021 lbs	1,039 lbs	1,145 lbs	1,162 lbs	1,263 lbs	1,380 lbs	1,380 lbs
19'	382 lbs	1,069 lbs	1,087 lbs	1,201 lbs	1,219 lbs	1,327 lbs	1,450 lbs	1,450 lbs
20'	418 lbs	1,129 lbs	1,147 lbs	1,265 lbs	1,283 lbs	1,395 lbs	1,521 lbs	1,521 lbs
21'	425 lbs	1,177 lbs	1,195 lbs	1,322 lbs	1,339 lbs	1,460 lbs	1,591 lbs	1,591 lbs
22'10"	426 lbs	1,249 lbs	1,267 lbs	1,406 lbs	1,424 lbs	1,556 lbs	1,697 lbs	1,697 lbs

# WARRANTY

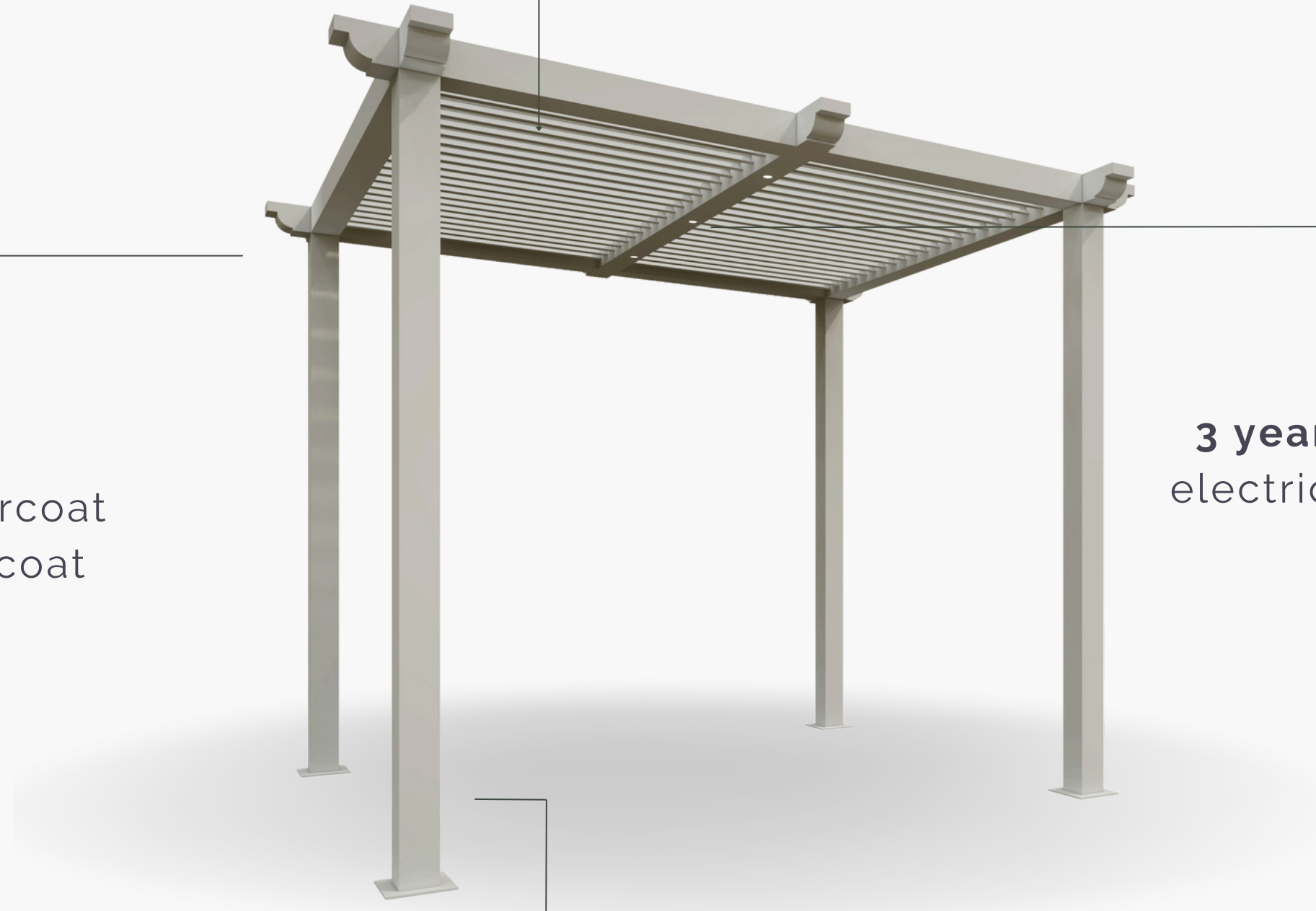


**5 years:** motors  
(batteries excluded)

**3 years:** electronic &  
electrical components

**15 years:** aluminum  
structural components

**15 years:** standard color powdercoat  
**10 years:** custom color powdercoat



# COLOR CHART

## - LOUVERS & FRAME

### WHITE MAT SMOOTH

#### SIGNAL WHITE - RAL 9003

AKZONOBEL - YA279QF  
CLASS 2 / AAMA 2604

3 to 4 weeks lead time



# COLOR CHART

## - LOUVERS & FRAME

**BRONZE / DARK GRAY TEXTURED**

**GRIS 2900 SABLE**

AKZONOBEL - Y2348QF  
CLASS 2 / AAMA 2604

3 to 4 weeks lead time



# COLOR CHART

## - LOUVERS & FRAME

**BLACK TEXTURED**

**EQUINOX BLACK**

AKZONOBEL – YN325QF  
CLASS 2 / AAMA 2604

3 to 4 weeks lead time





# COLOR CHART

## - LOUVERS & FRAME

### CUSTOM COLOR

- AKZONOBEL COLOR CHART

5 to 12 weeks lead time



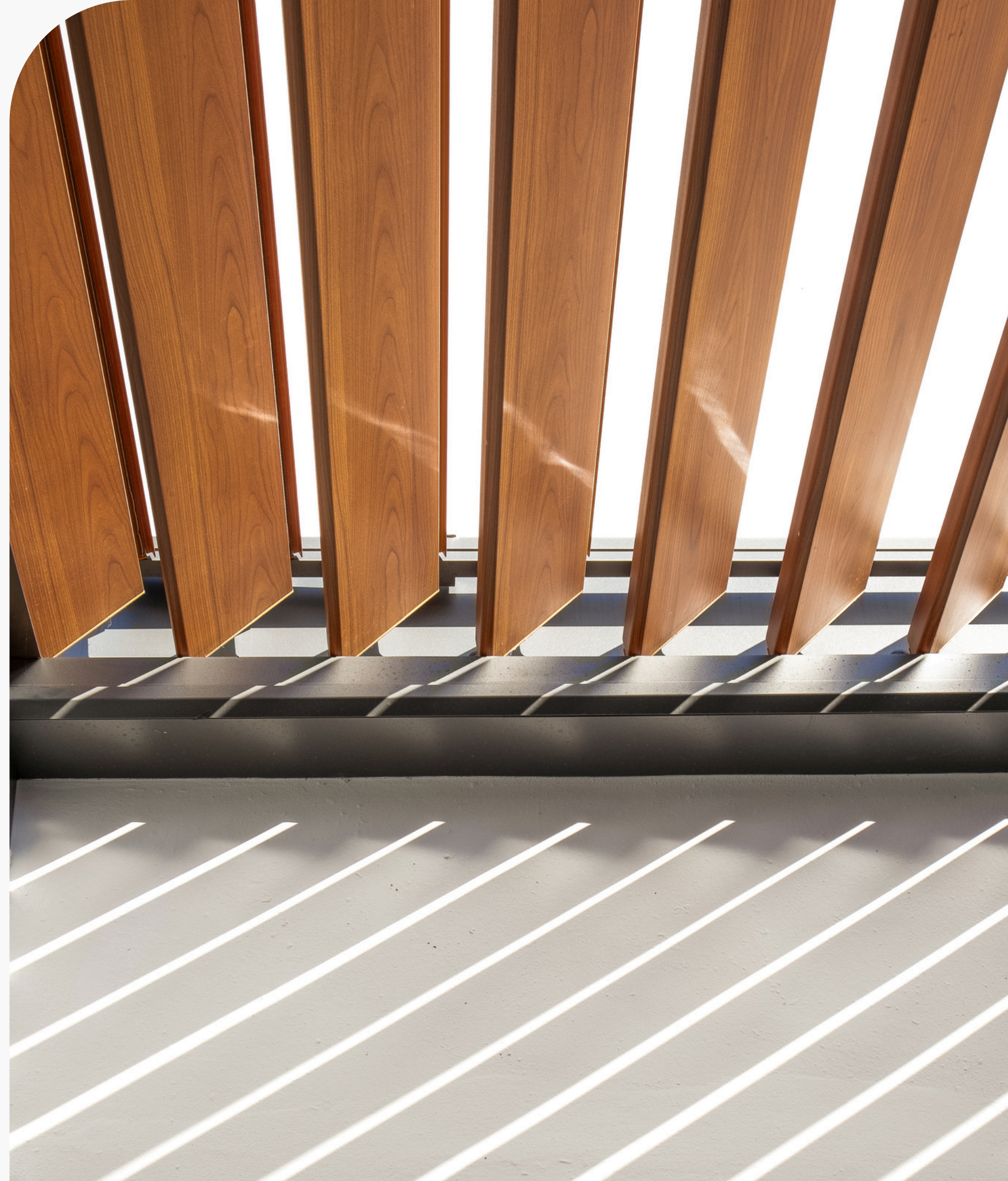
# COLOR CHART

## - LOUVERS & FRAME

### WOOD GRAIN FINISH

- BAMBOO
- TEAK
- OAK / GOLDEN OAK / DARK OAK
- KNOTTY PINE
- NATIONAL WALNUT / DARK WALNUT
- AMERICAN DOUGLAS
- CHERRY / CHERRY HALF FLAME / CHERRY WITH FLAME
- EUROPEAN CHEERY / MEDITERRANEAN CHERRY

8 to 10 weeks lead time



# LIGHTING

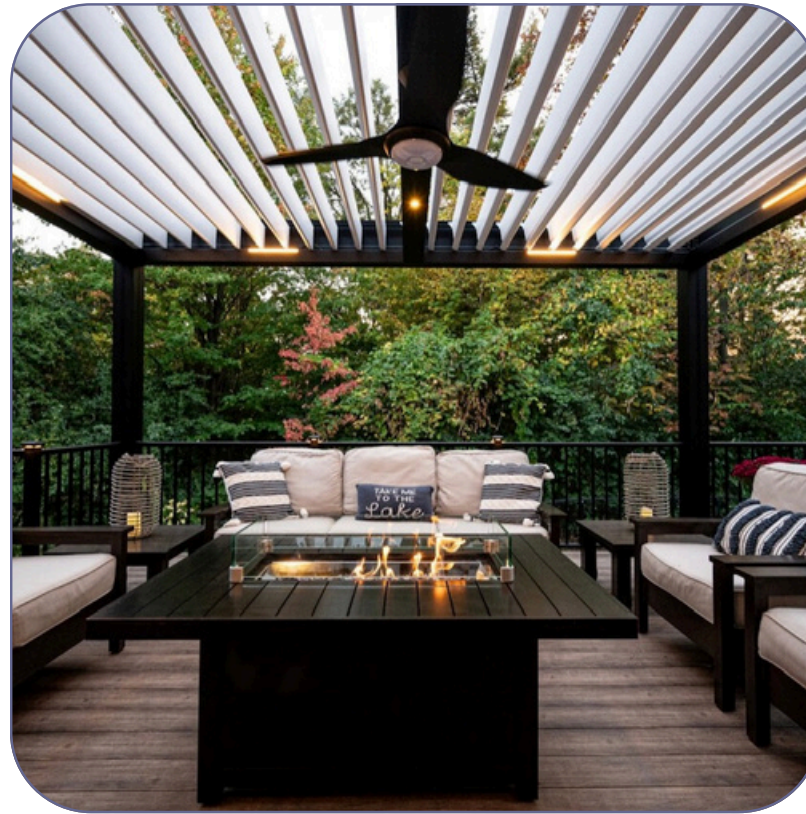


## RECESSED LIGHTS

Accessory beam only  
DIRECT LIGHTING 4W - 24V - 320 lm

Recommended - 2.5ft intervals, 1ft from frame

**Beware of the potential strobing effect when a fan is on.**



## LED RAMPS

Frame and/or Accessory Beam  
DIRECT LIGHTING 12W - 24V - 630 lm

Recommended - 3ft intervals, 1ft from frame



## RGBW LED STRIPS

Frame only  
ACCENT LIGHTING 1.43W/ft - 24V - 730 lm

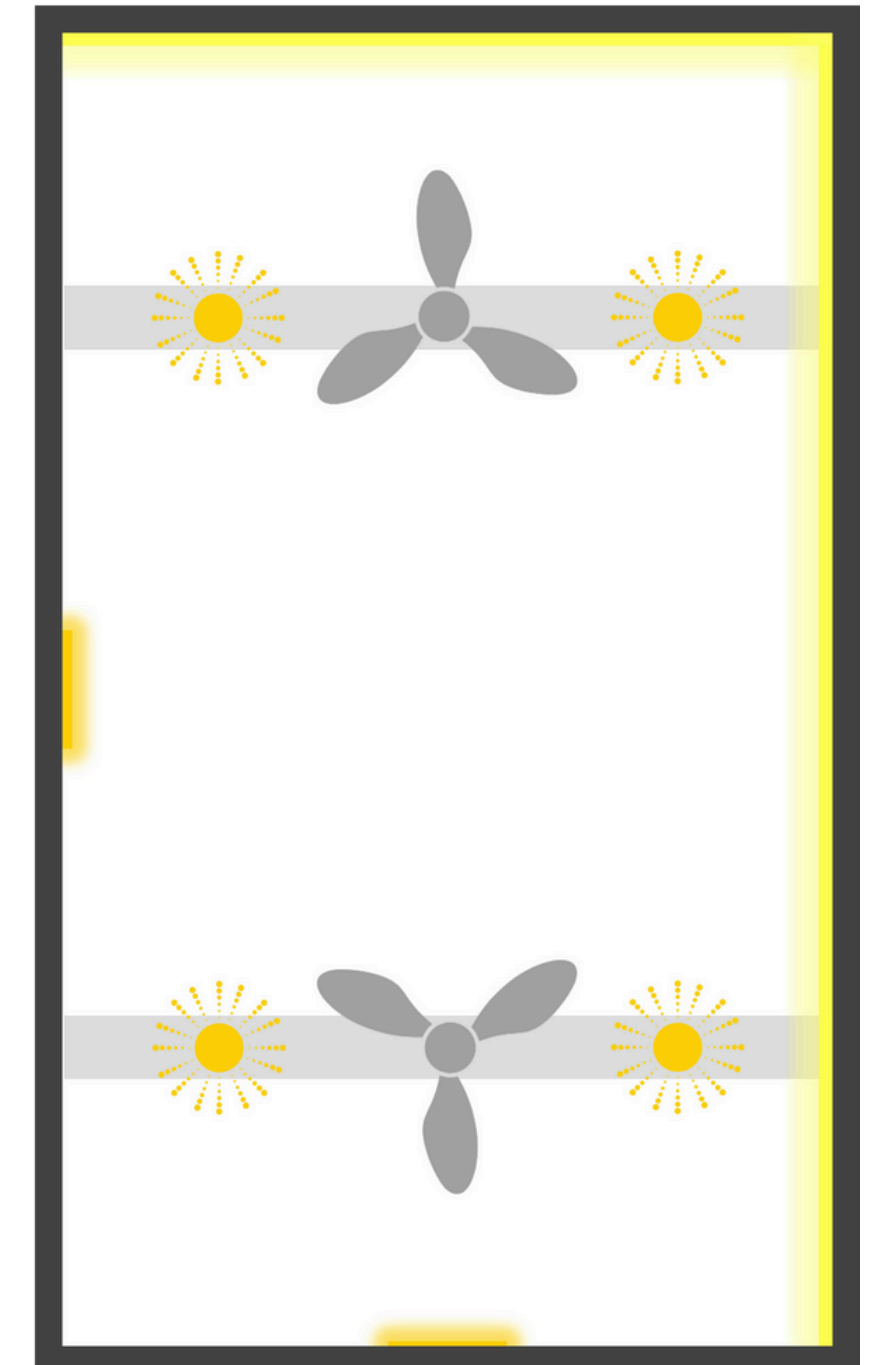
Either on length, width, or the entire frame.

# LIGHTING



2700K & dimmable  
**controllable with Azenco  
 Remote & App Control**

	<b>CONTROL BOX (INCLUDED)</b> 20 AMP NEEDED OUTLET		<b>LIGHT CONTROL BOX (OPTIONAL)</b> 20 AMP NEEDED OUTLET	
# OF CHANNELS	2 channels		4 channels	
LIGHTING OPTIONS	<b>Recessed Light</b>	<b>LED Ramp</b>	<b>LED Strip</b>	
MAX PER CHANNEL	6	<b>or</b> 4	1	
MAX PER CONTROL BOX	12	<b>or</b> 8	4	



**Remember that you can mix and match the lights across different channels to create various configurations within the limits provided.**



**[azenco-outdoor.com](http://azenco-outdoor.com)**

(305) 306-3204

[azenco@azenco-outdoor.com](mailto:azenco@azenco-outdoor.com)

725 SE 9th Ct Hialeah, FL 33010